

# PROMA

Wojciech Pludowski  
33-103 Tarnow, ul. Krzyska 65

**POLAND**

tel: 0048 14 625 11 33

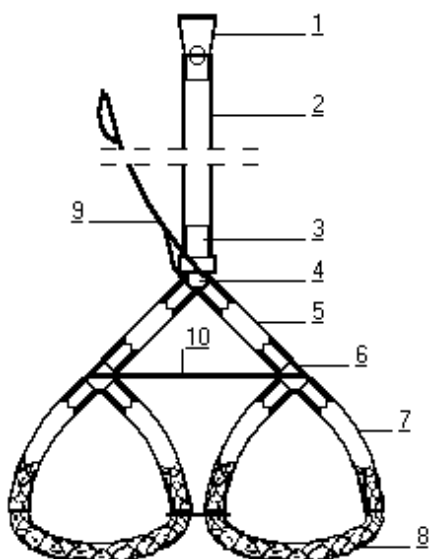
fax: 0048 14 656 25 94

www.mazacze.com.pl

## Manual Double Weed Wiper for Selective Weed Control

### OPERATING MANUAL

#### Construction of the Double Weed Wiper



- 1 - inlet opening plug with a hole in the side wall,
- 2 - weed-wiper's tube,
- 3 - through-type fixing plug,
- 4 - Y-connection,
- 5 - armoured flexible hose ,
- 6 - T-connection,
- 7 - flexible hose,
- 8 - absorbable wick rope to spread the working solution,
- 9 - webbing band,
- 10 - spacer.


#### Technical Specification of the Weed Wiper

Length	-	1250 mm,
Working width	-	350 mm,
Total volume	-	0.4 dm <sup>3</sup> ,
Nominal capacity	-	0.3 dm <sup>3</sup> ,
Inlet opening diameter	-	21.5 mm,
Weight	-	0.38 kg.

**The weed wiper filled with 1 part Roundup and 2 parts water shall be used whenever spraying is impossible or unreasonable!**

## Introduction

The buyer and the user of a weed wiper shall receive this operating manual, read it carefully and follow the recommendations contained therein. Handling according to the instructions will warrant effective treatment and safety of the weed-wiper operators.

Any information essential for the safe operation of the weed wiper is marked with the following symbol .

## Purpose of the Weed Wiper

The weed wiper is intended for non-spray application of Roundup directly on the plants to be killed. The Roundup herbicide kills both mono- and dicotyledonous, annual and perennial plants. Being absorbed by plant's green parts only and conveyed through all plant's systems the herbicide causes dying away of the plant inclusive of the roots and rhizomes.



Roundup is an herbicide in toxicity class IV. The safety precautions described in Roundup's instructions shall be observed.

The weed wiper filled with the Roundup solution allows one to kill clumps of particularly arduous weeds (such as tufted hair grass, nettle, rhizome sorrels, etc.), any weeds between rows of crops, around young trees and bushes and wherever application of a spraying device is impossible or unreasonable.




Any use of the weed wiper or its components contrary to the intended use is prohibited.



## Safe Use of the Weed Wiper

When using the weed wiper one shall observe the safety precautions described in the Roundup's instructions. Roundup is an herbicide in toxicity class IV (class of virtually non-toxic pesticides).

The  symbol, when used in this operating manual and on the label of the weed wiper, informs about the necessity to observe the indicated safety precautions.

The device may only be used, if it is free of any mechanical damage.

Do not eat, drink or smoke when preparing the working solution and using the weed wiper!  
Do wear rubber gloves!

Any use of the weed wiper or its components contrary to the intended use is prohibited.

Keep the weed wiper away from children and animals.

## Treatment Time

The treatment shall be carried out on intensively growing green weeds.

The herbicide is most effective:

- for perennial grasses – when they are 10-15 cm high,
- for dicotyledonous perennial weeds – before and during the flowering period,
- for annual weeds – over the whole vegetation season.

The prerequisite for the full effectiveness of the treatment is rainless weather for 6 hours after application completion.

## Solution Preparation and Roundup Doses

To the weed wiper's tube add Roundup water solution having the concentration from 33% (one part Roundup + 2 parts water) up to 50%. The consumption of Roundup is 0.5 – 2 l/ha. The necessary Roundup dose depends on plant species, the phase the treatment is carried out, and the root mass of the weeds.

For a single filling of the weed wiper prepare max 0.2 l of the working solution – as marked on the tube.

## Use



Do not eat, drink or smoke when using the weed wiper!  
Do wear rubber gloves!

After having filled the weed wiper for the first time allow the wick rope to become slightly soaked. Prior to the next use, moisten the dried wick rope with clean water. The plug of the inlet opening has got a hole in its wall, which allows air to enter and the wick rope to become soaked during the treatment. Further pushing-in of the plug results in the hole being closed, which in turn reduces the outlet of the preparation. The weeds shall be wiped at least twice (in opposite directions). Take care not to allow the wick rope to touch the crops. Pass the weed wiper gently over the plants to be killed; avoid any violent movements (brandishing the wiper). Passing the wick rope over the ground is absolutely useless and detrimental to the wiper's life.



The preparation may be conveyed on shoes, please avoid treading on plants with the preparation spread on.

First indications of the weeds' dying away occur after 7-14 days. Any measures connected with the cultivation of land shall be suspended for that time. The weeds die away completely within 3-4 weeks. If necessary, repeat the treatment.



The grasslands Roundup has been applied to must neither be mown nor used to pasture animals for one week after the treatment.

## Maintenance, storage and handling of the weed wiper

Clean the wick rope after each treatment. After the season, wash the device incl. the wick rope and flush it with water. Do not dismount it, unless any component parts have to be replaced.

The maximum storage and shipment temperature of the weed wiper is 40°C. The tightly closed weed wiper containing preparation residue, if any, shall be hung the wick rope up in an out-of-the-way place. The working end shall be safeguarded by means of a plastic bag intended for that purpose only.



Keep the weed wiper away from children and animals!

## Stripping and Disposal



Wear rubber gloves during the stripping and disposal operations.

If the weed wiper becomes destructed to an extent making the regeneration of it impossible it shall be dismounted, the component parts shall be segregated and handed over to waste management centres.